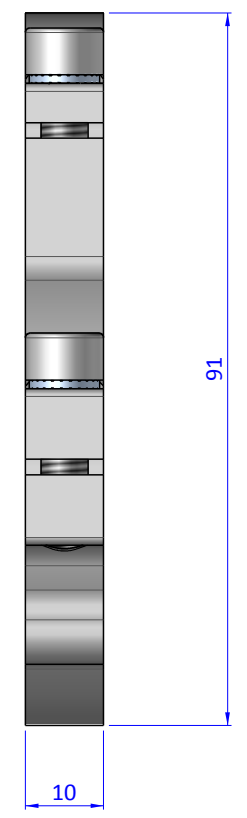
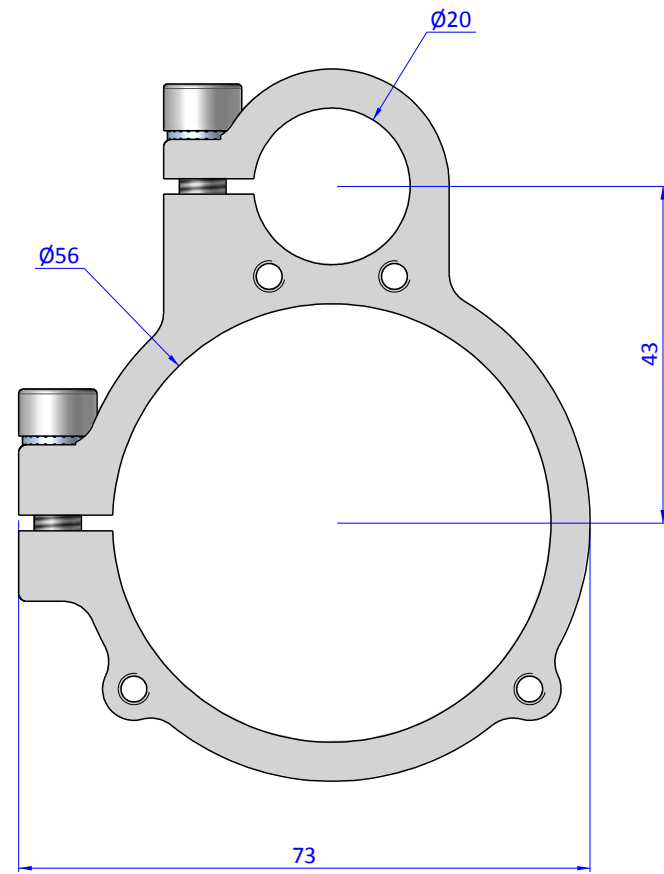
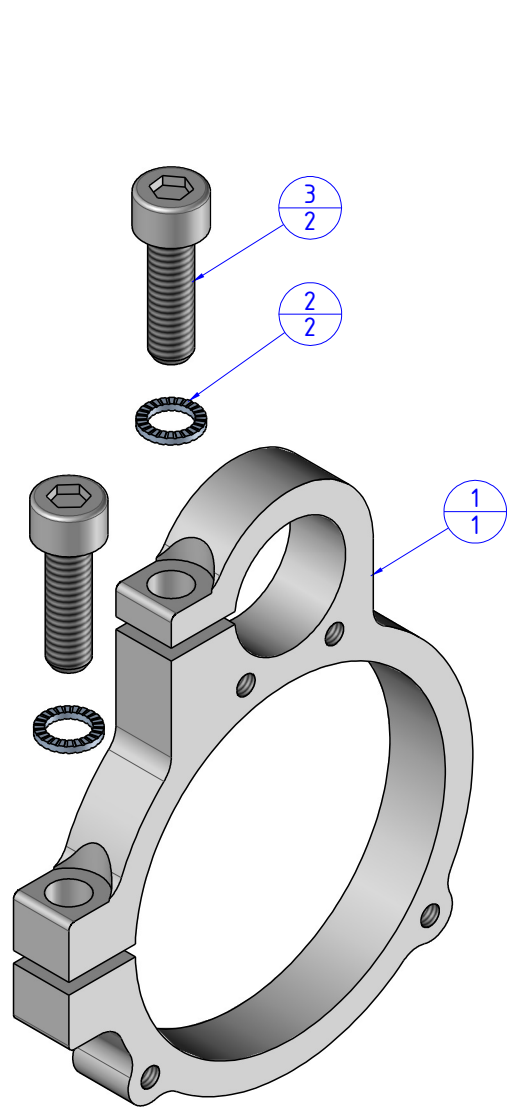


THE PROPERTY OF THE DRAWING IS ESTABLISHED BY LAW. IT IS FORBIDDEN TO PRODUCE OR SHOW IT TO THIRD PARTY, WITHOUT A WRITTEN AGREEMENT.

| Item | Name | Q.ty |
|------|------------|------|
| 1 | SAT.5620.L | 1 |
| 2 | R.6.SCH | 2 |
| 3 | V.TCE6x20 | 2 |



Format A3
UNI 936-76

| | | | | |
|-------------------|-------------|----------------|---------|--------|
| | | DESIGNED FROM | | REVIEW |
| | | FPS Automation | | A |
| GENERAL TOLERANCE | | DATE | WEIGHT | |
| UNI - ISO 2768 | | 16/05/2019 | 0,057kg | |
| CLASSE f | DESCRIPTION | CODE | | |
| | CA.SAT.5620 | CA.SAT.5620 | | |